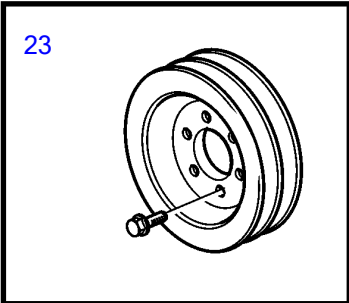
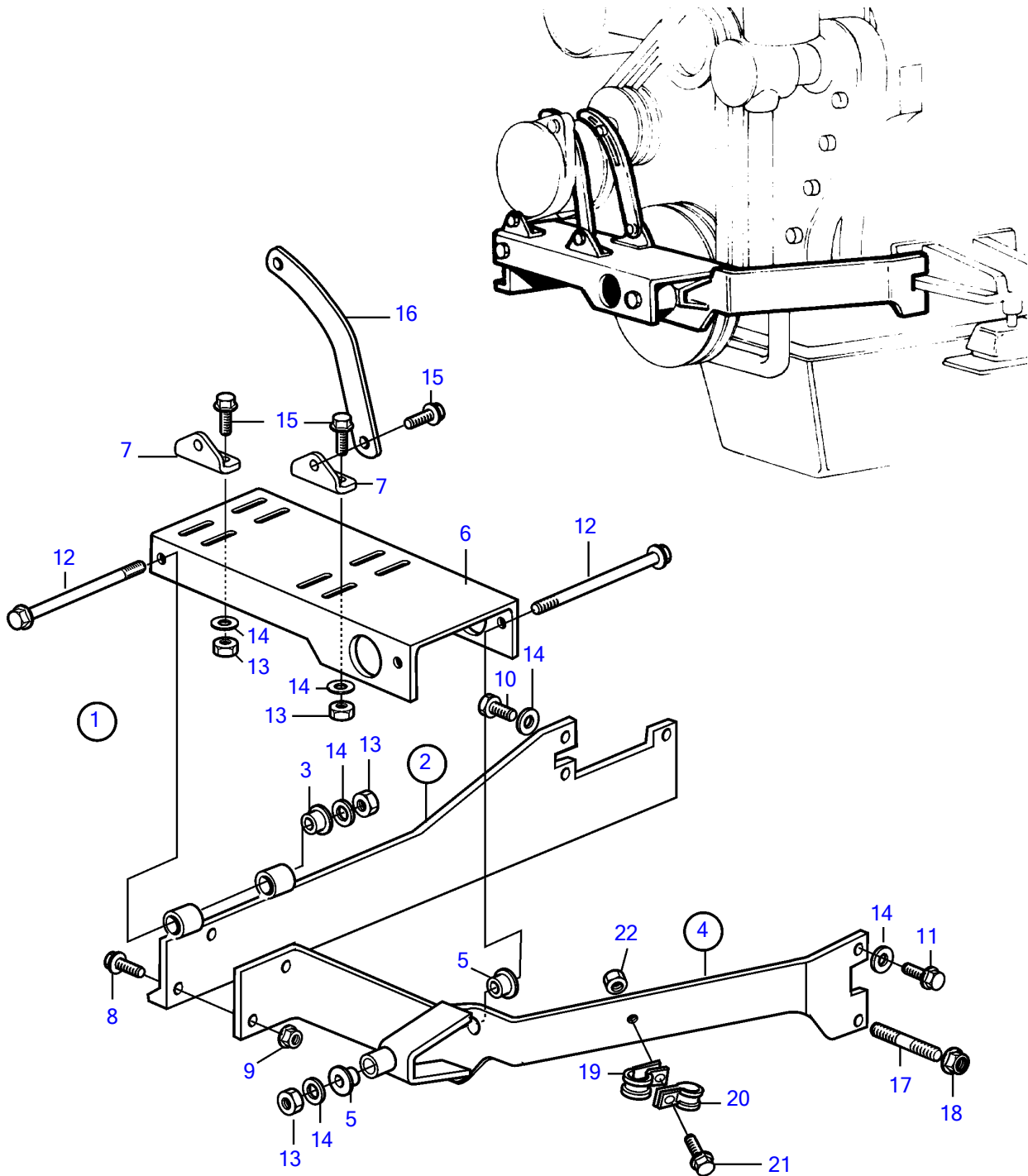


AD31L-A, AD31P-A, AD41L-A, AD41P-A, D41L-A, TAMD31L-A, TAMD31M-A, TAMD31P-A, TAMD31S-A, TAMD41H-A, TAMD41H-B, TAMD41P-A, TAMD41L-A, TAMD41M-A, TMD31L-A, TMD41L-A



23155

AD31L-A, AD31P-A, AD41L-A, AD41P-A, D41L-A, TAMD31L-A, TAMD31M-A, TAMD31P-A, TAMD31S-A, TAMD41H-A, TAMD41H-B, TAMD41P-A, TAMD41L-A, TAMD41M-A, TMD31L-A, TMD41L-A

REF	PART NO.	QTY	DESCRIPTION	SEE SEC.	NOTES
1	861369	1	Kit		
2	861484	1	• Bracket		
3	463909	2	• • Rubber bushing		
4	861485	1	• Bracket		
5	463909	2	• • Rubber bushing		
6	858175	1	• Plate		
7	858177	4	• Bracket		
8	946472	2	• Flange screw		
9	971098	2	• Flange lock nut		
10	970983	3	• Hexagon screw		
11	965227	1	• Flange screw		
12	973924	4	• Flange screw		
13	945408	14	• Flange nut		
14	976944	12	• Washer		
15	946173	10	• Flange screw		
16	845021	2	• Tensioner		
17	924102	1	• Stud		
18	971096	1	• Flange nut		
19	949850	1	• Clamp		D=35mm
20	967645	1	• Clamp		D=41mm
21	947542	1	• Flange screw		
22	949278	1	• Flange lock nut		
23		1	Pulley	9337	Type HC50
		1	Pulley	9338	Type B